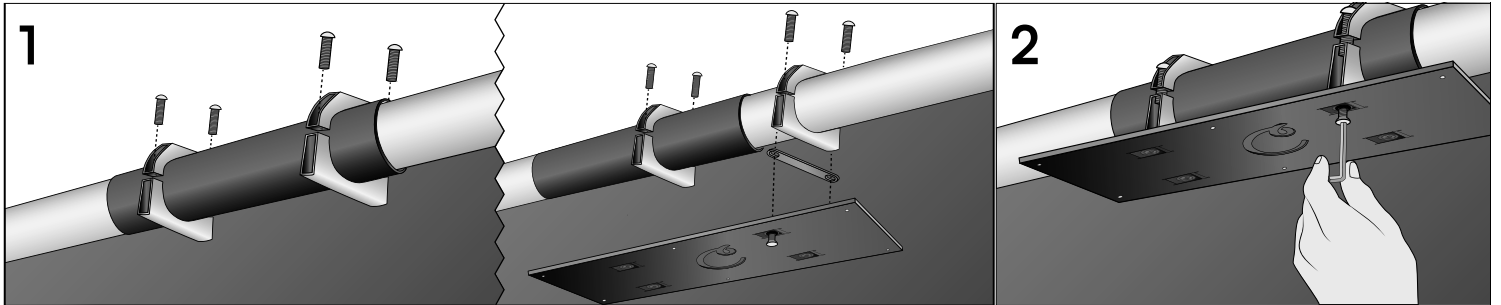
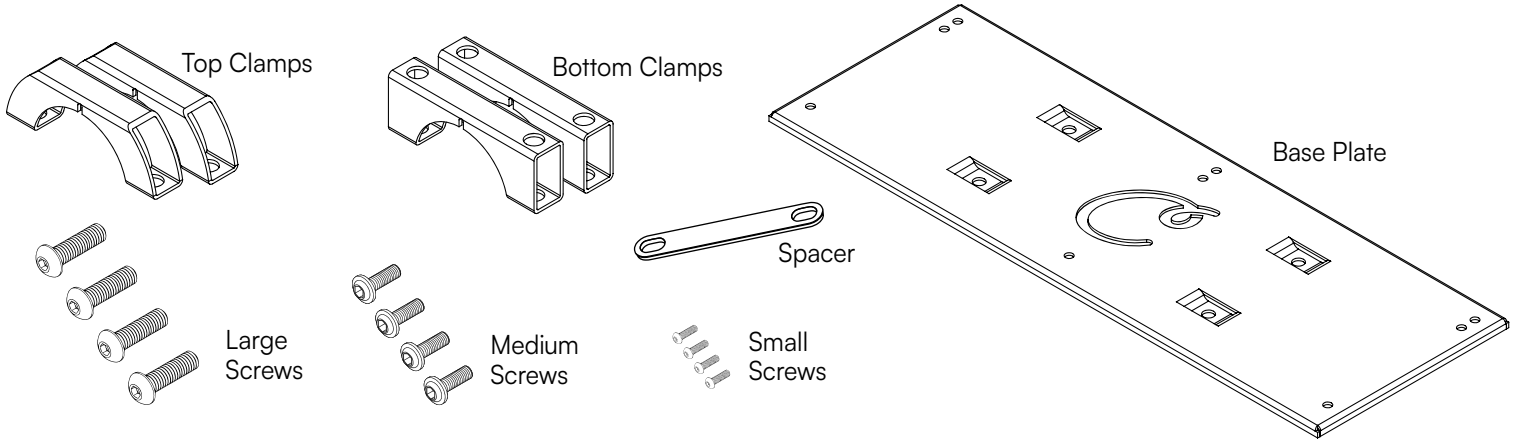
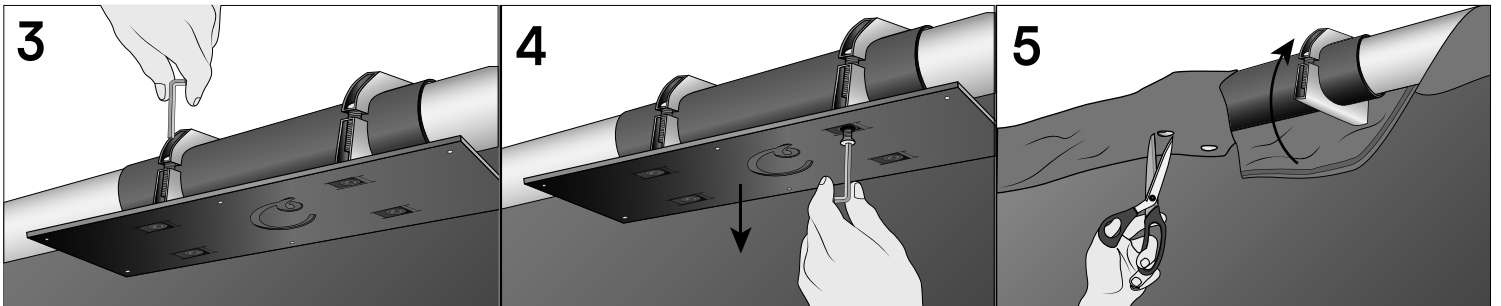


## Launch Monitor Frame Mount Instructions



To start, pull back the fabric flap on your Pro enclosure's ceiling pipe where you plan to mount the launch monitor. Put the clamps over the pipe fitting and loosely secure the large screws. If one clamp is off the fitting, use the spacer between the clamp and base plate to level the mount.

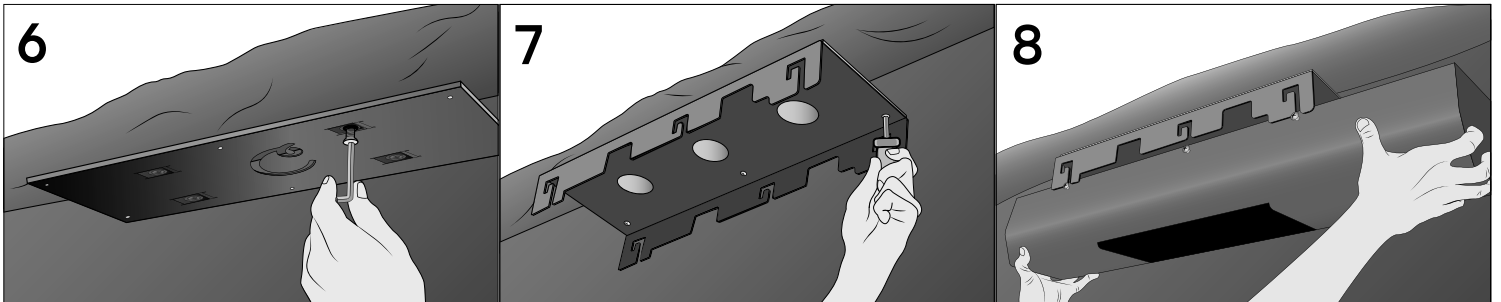
Loosely attach the base plate to the clamps with the medium screws. Center it on your enclosure.



Fully tighten both sides of the clamps evenly to secure the clamps in place.

With the clamps in place, remove the base plate by unscrewing the medium screws.

Wrap the flap around the pipe. Then cut slits where the clamp's screw holes are located. Do not cut the finished edge of the flap.



Reattach the base plate to the clamps and tighten with the medium screws.

Secure the launch monitor mount to the base plate with the small screws.

Hang the launch monitor from the mount as described in the instructions and make final adjustments.